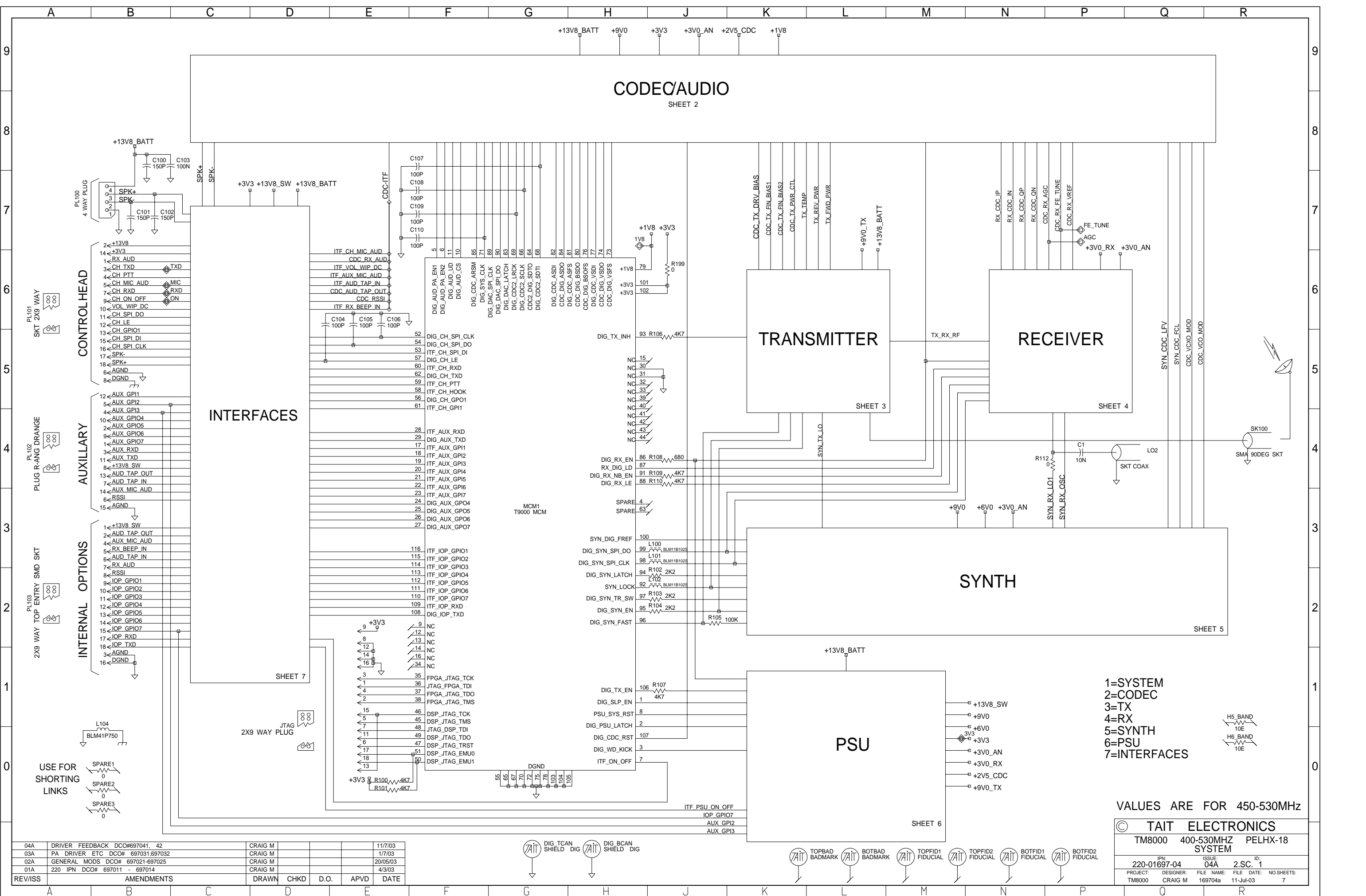


CODEC/AUDIO

SHEET 2

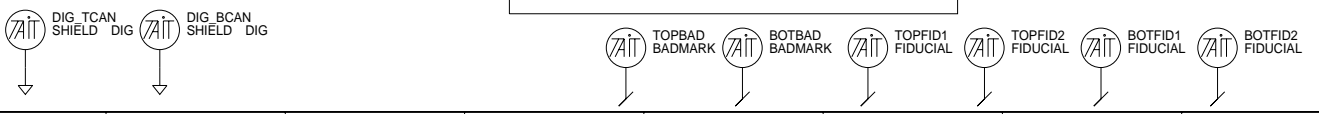


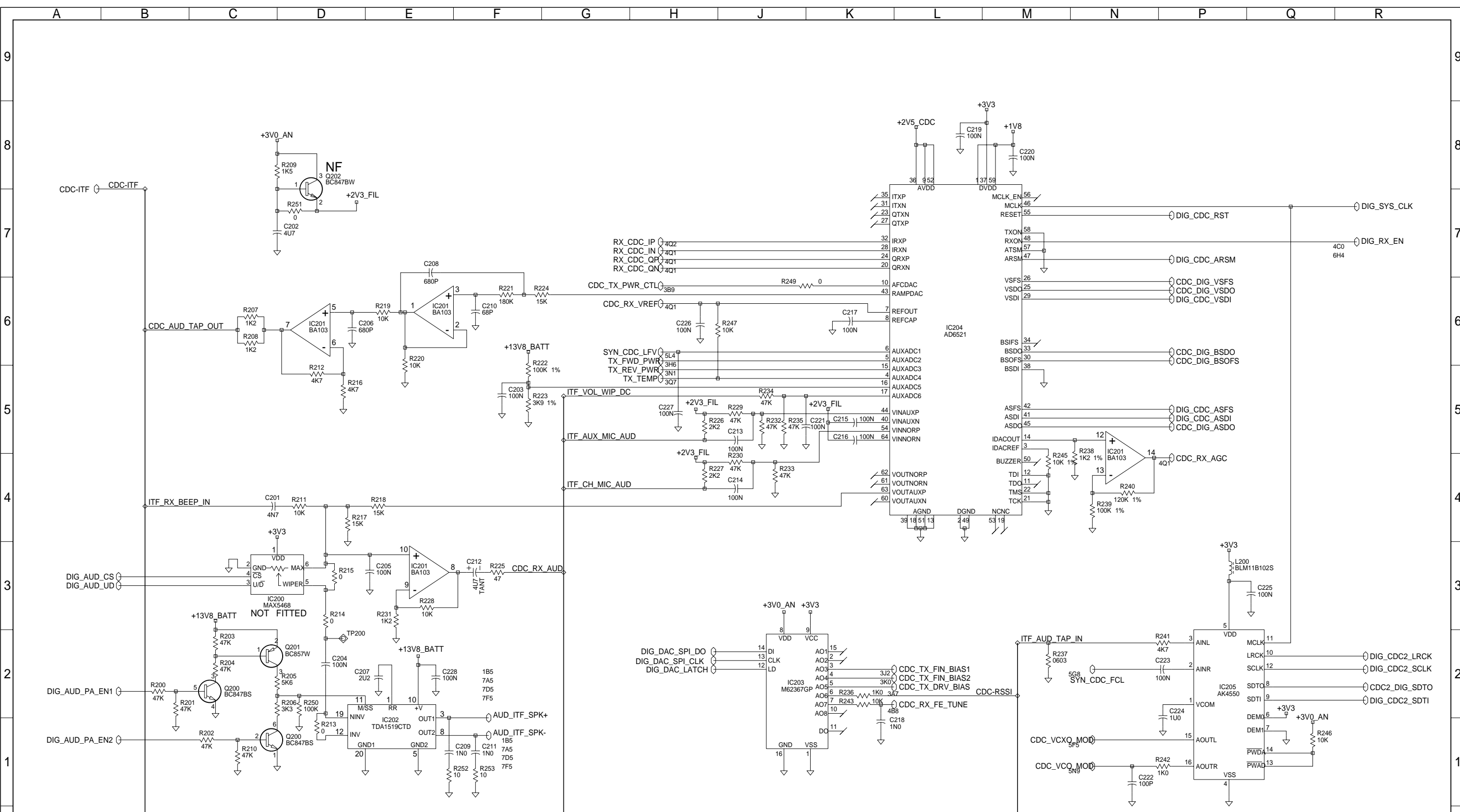
- 1=SYSTEM
- 2=CODEC
- 3=TX
- 4=RX
- 5=SYNTH
- 6=PSU
- 7=INTERFACES

VALUES ARE FOR 450-530MHZ

© TAIT ELECTRONICS			
TM8000 400-530MHZ PELHX-18 SYSTEM			
IPN: 220-01697-04	ISSUE: 04A	FILE: 2.SC. 1	ID:
PROJECT: TM8000	DESIGNER: CRAIG M	FILE NAME: 169704a	DATE: 11-Jul-03
		NO. SHEETS: 7	

04A	DRIVER FEEDBACK DCO#697041, 42	CRAIG M			11/7/03
03A	PA DRIVER ETC DCO# 697031,697032	CRAIG M			1/7/03
02A	GENERAL MODS DCO# 697021-697025	CRAIG M			20/05/03
01A	220 IPN DCO# 697011 - 697014	CRAIG M			4/3/03
REV/ISS	AMENDMENTS	DRAWN	CHKD	D.O.	APVD DATE

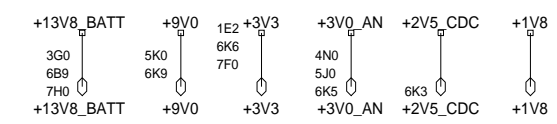
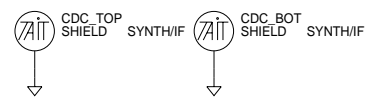


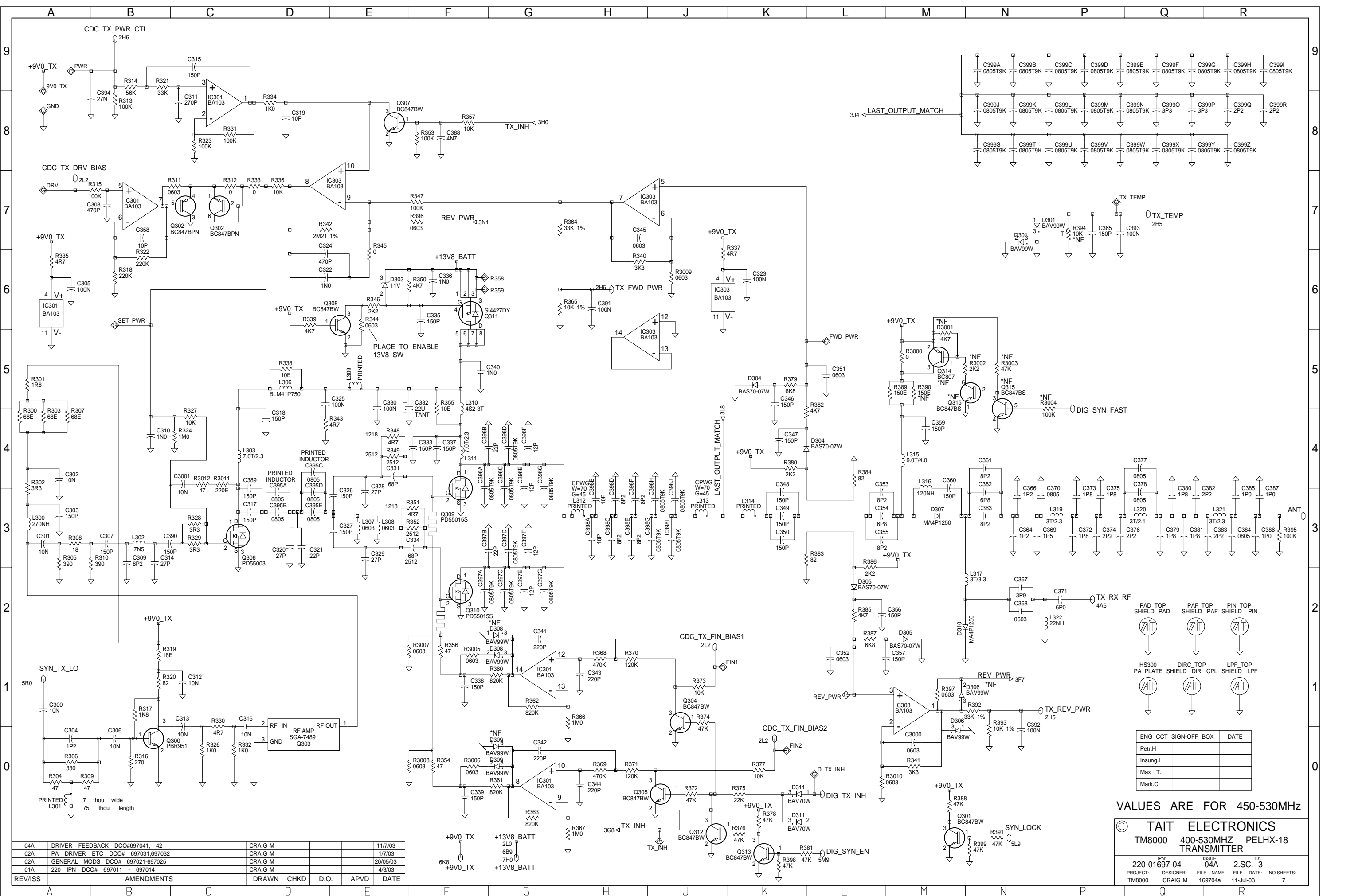


VALUES ARE FOR 450-530MHz

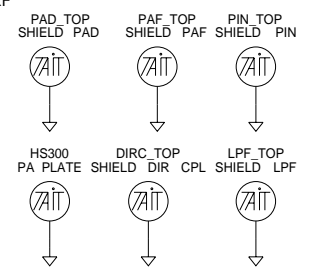
© TAIT ELECTRONICS
 TM8000 400-530MHZ PELHX-18 CODEC
 IPN: 220-01697-04 ISSUE: 04A 2.SC. 2 ID:
 PROJECT: TM8000 DESIGNER: CRAIG M FILE NAME: 169704a FILE DATE: 11-Jul-03 NO.SHEETS: 7

04A	DRIVER FEEDBACK DCO#697041, 42	CRAIG M			11/7/03
02A	PA DRIVER ETC DCO# 697031,697032	CRAIG M			1/7/03
02A	GENERAL MODS DCO# 697021-697025	CRAIG M			20/05/03
01A	220 IPN DCO# 697011 - 697014	CRAIG M			4/3/03
REV/ISS	AMENDMENTS	DRAWN	CHKD	D.O.	APVD DATE





04A	DRIVER FEEDBACK DCO#697041, 42	CRAIG M			11/7/03
02A	PA DRIVER ETC DCO# 697031,697032	CRAIG M			1/7/03
02A	GENERAL MODS DCO# 697021-697025	CRAIG M			20/05/03
01A	220 IPN DCO# 697011 - 697014	CRAIG M			4/3/03
REV/ISS	AMENDMENTS	DRAWN	CHKD	D.O.	APVD DATE

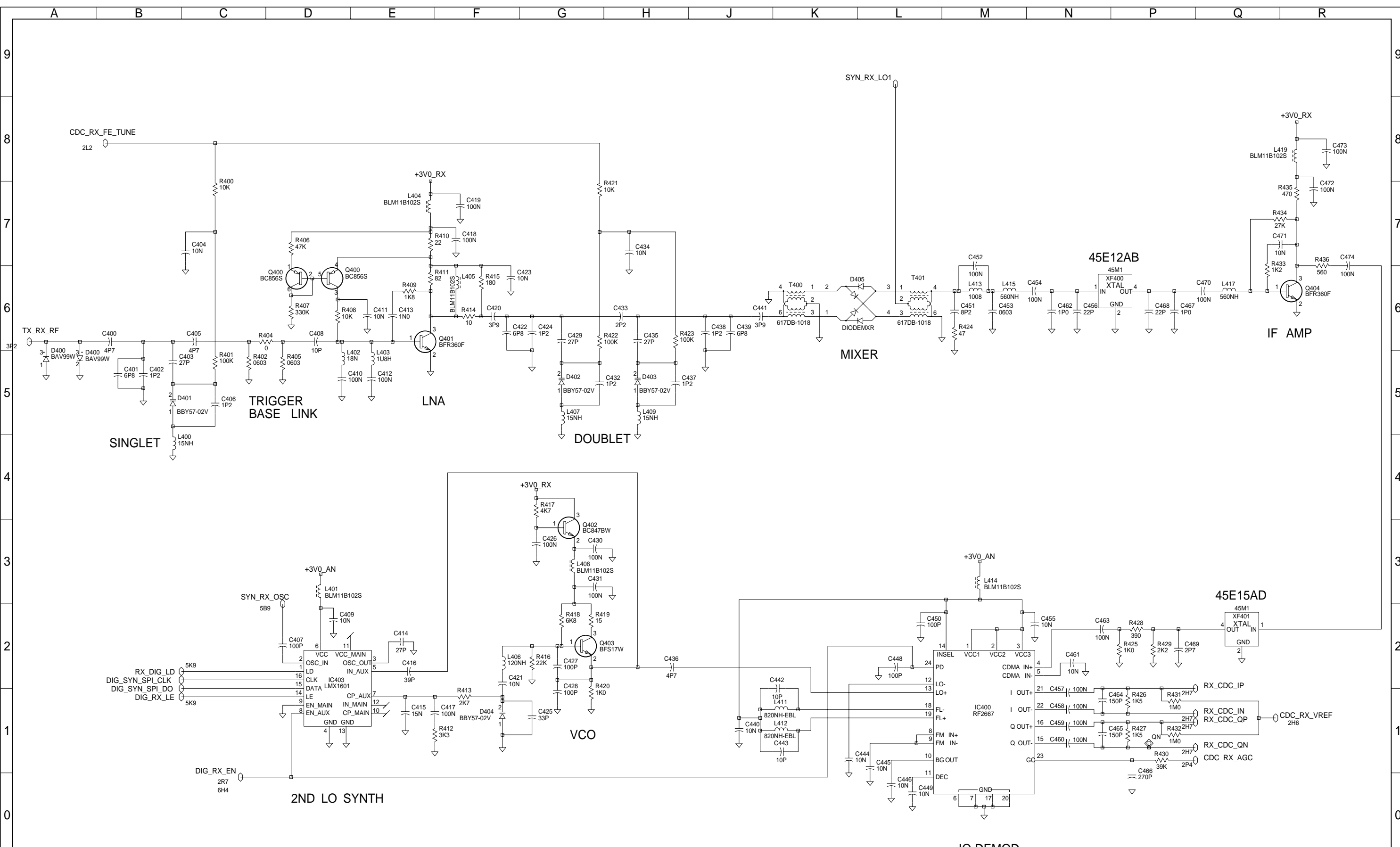


ENG	CCT	SIGN-OFF	BOX	DATE
Petr.H				
Insung.H				
Max T.				
Mark.C				

VALUES ARE FOR 450-530MHZ

© TAIT ELECTRONICS
 TM8000 400-530MHZ PELHX-18 TRANSMITTER

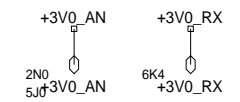
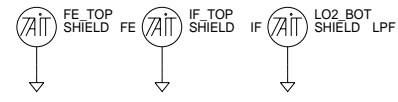
IPN: 220-01697-04 ISSUE: 04A 2.SC. 3 ID:
 PROJECT: TM8000 DESIGNER: CRAIG M FILE NAME: 169704a FILE DATE: 11-Jul-03 NO.SHEETS: 7

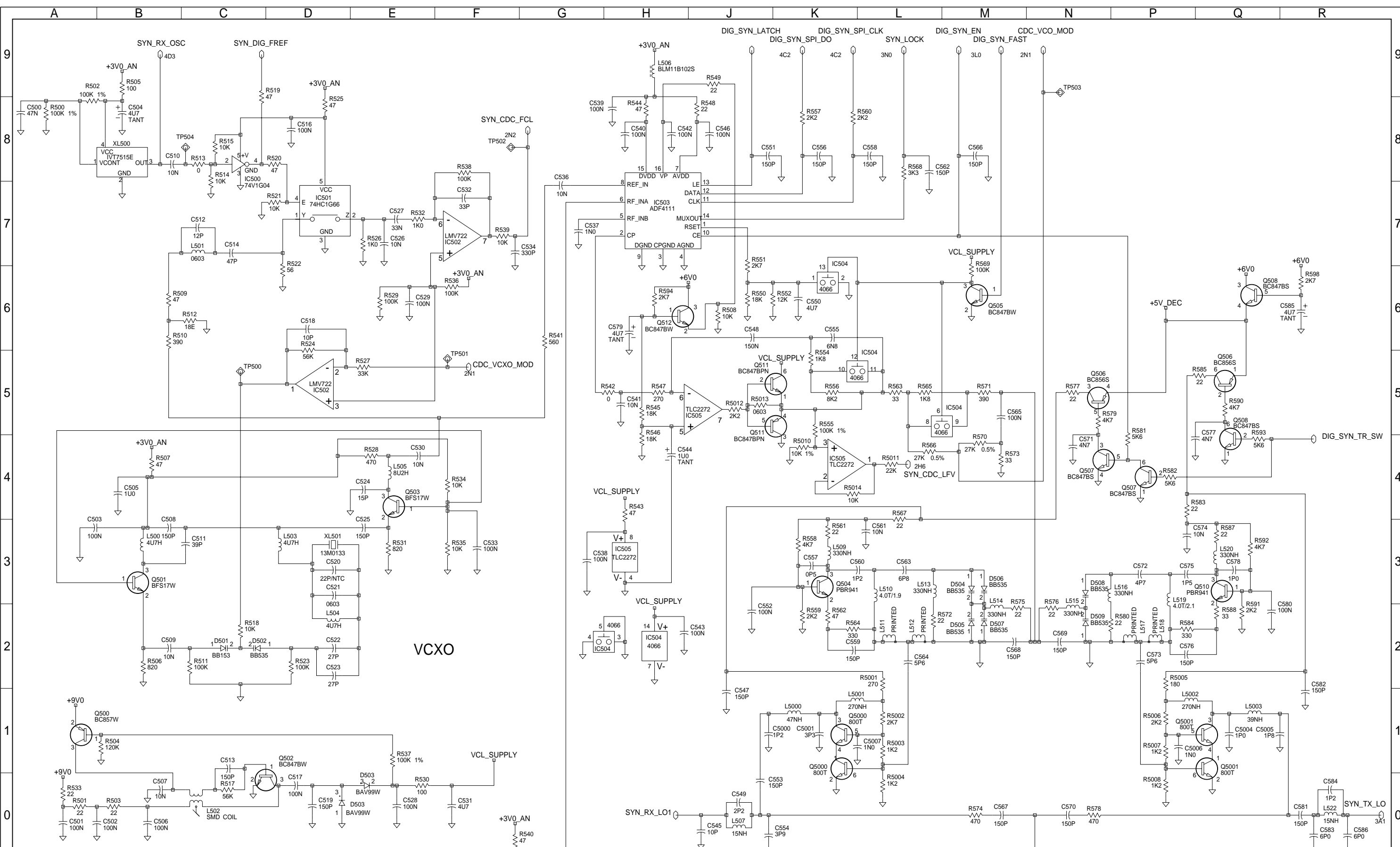


VALUES ARE FOR 450-530MHz

© TAIT ELECTRONICS			
TM8000 400-530MHZ PELHX-18 RECEIVER			
IPN: 220-01697-04	ISSUE: 04A	FILE: 2.SC. 4	ID: 7
PROJECT: TM8000	DESIGNER: CRAIG M	FILE NAME: 169704a	DATE: 11-Jul-03
NO. SHEETS: 7			

04A	DRIVER FEEDBACK DCO#697041, 42	CRAIG M			11/7/03
02A	PA DRIVER ETC DCO# 697031,697032	CRAIG M			1/7/03
02A	GENERAL MODS DCO# 697021-697025	CRAIG M			20/05/03
01A	220 IPN DCO# 697011 - 697014	CRAIG M			4/3/03
REV/ISS	AMENDMENTS	DRAWN	CHKD	D.O.	APVD DATE





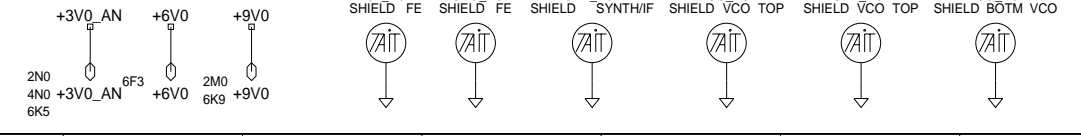
VCXO

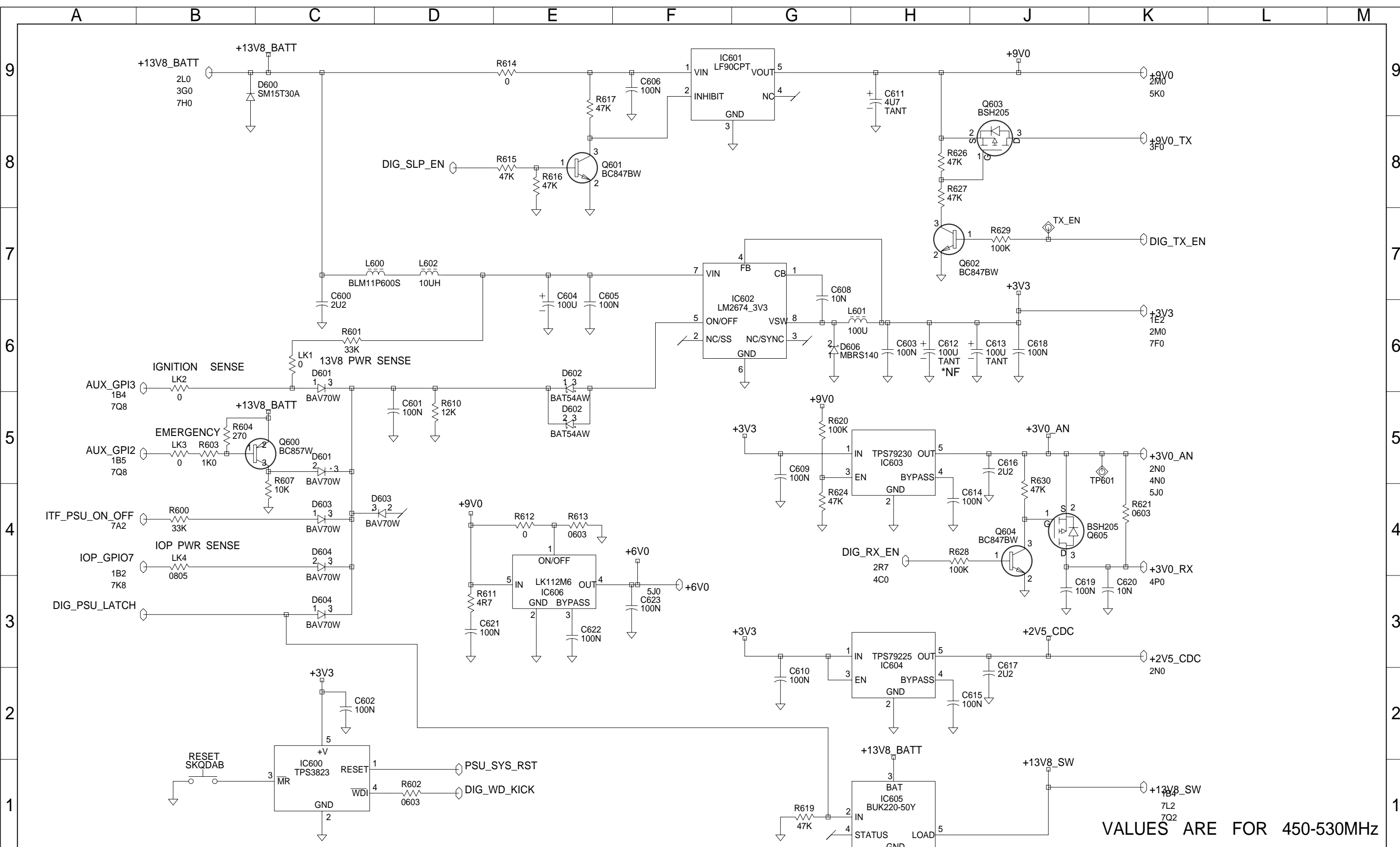
VALUES ARE FOR 450-530MHZ

© TAIT ELECTRONICS
 TM8000 400-530MHZ PELHX-18
 SYNTH & VCOS

IPN: 220-01697-04 ISSU: 04A 2.SC. 5
 PROJECT: TM8000 DESIGNER: CRAIG M FILE NAME: 169704a FILE DATE: 11-Jul-03 NO.SHEETS: 7

04A	DRIVER FEEDBACK DCO#697041, 42	CRAIG M			11/7/03
02A	PA DRIVER ETC DCO# 697031,697032	CRAIG M			1/7/03
02A	GENERAL MODS DCO# 697021-697025	CRAIG M			20/05/03
01A	220 IPN DCO# 697011 - 697014	CRAIG M			4/3/03
REV/ISS	AMENDMENTS	DRAWN	CHKD	D.O.	APVD DATE



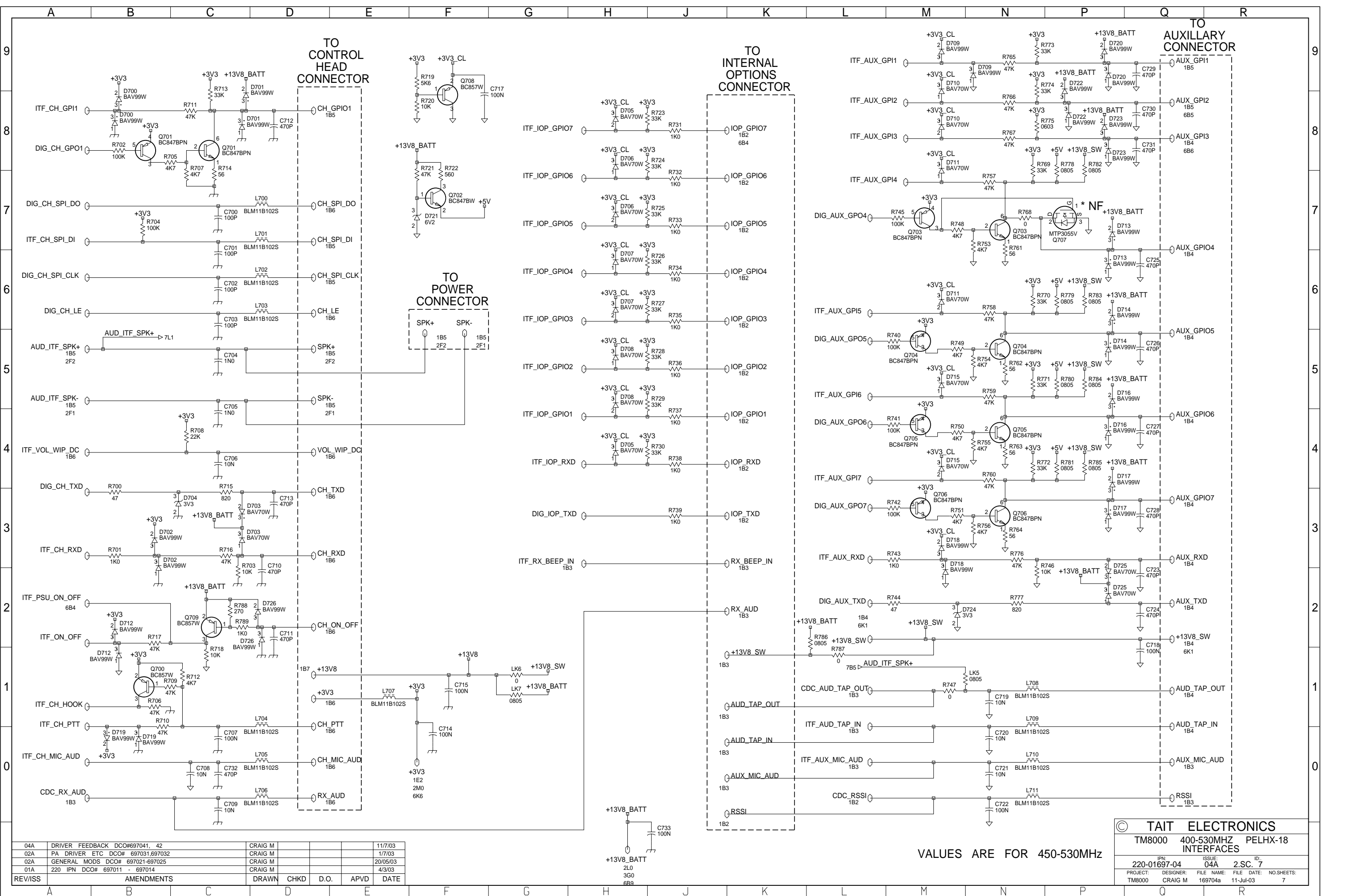


VALUES ARE FOR 450-530MHz

© TAIT ELECTRONICS
 TM8000 400-530MHZ PELHX-18
 POWERSUPPLY

IPN:	ISSUE:	ID:
220-01697-04	04A	2.SC. 6
PROJECT:	DESIGNER:	FILE NAME:
TM8000	CRAIG M	169704a
FILE DATE:	NO.SHEETS:	
11-Jul-03	7	

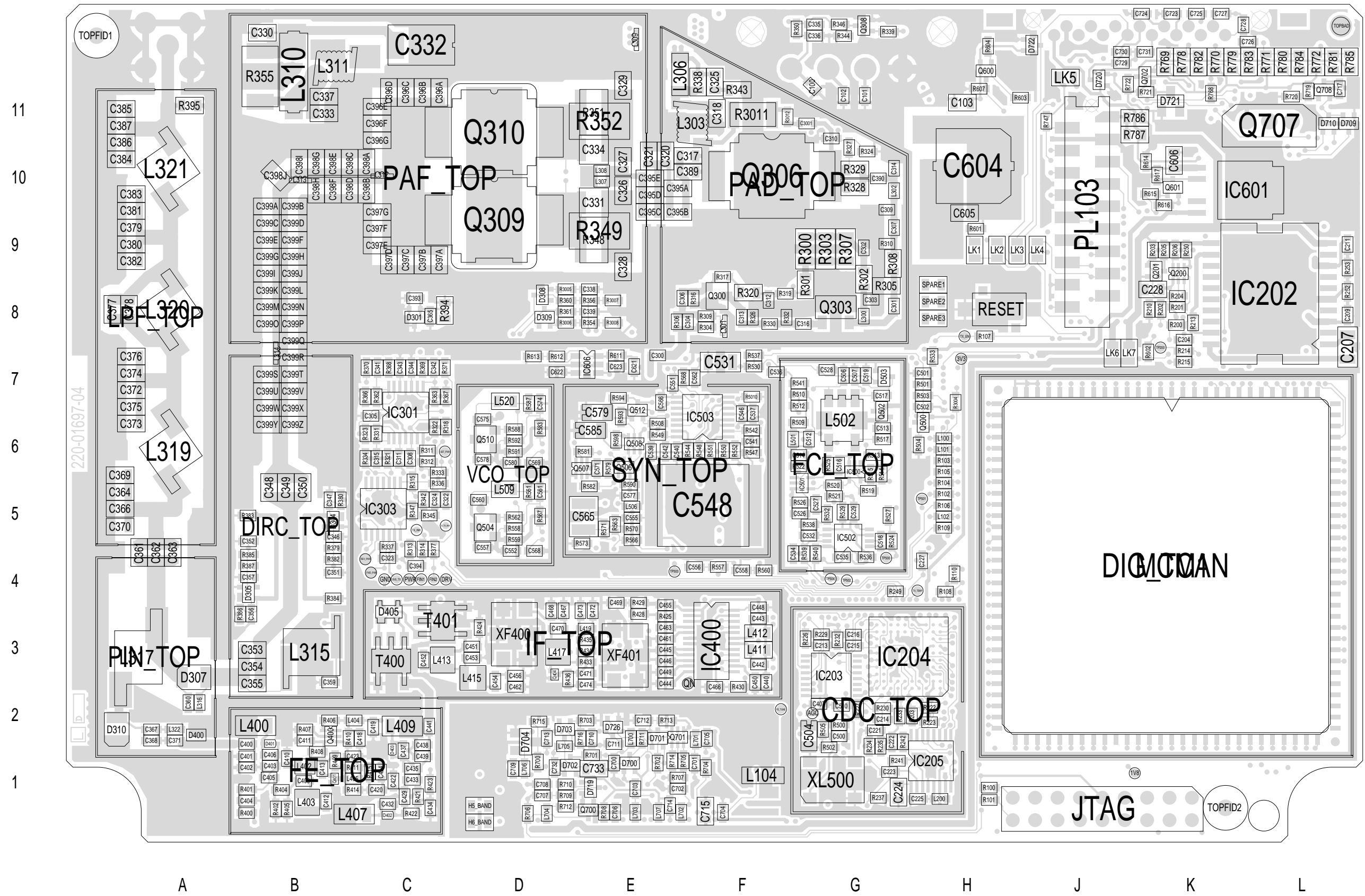
04A	DRIVER FEEDBACK DCO#697041, 42	CRAIG M				11/7/03
02A	PA DRIVER ETC DCO# 697031,697032	CRAIG M				1/7/03
02A	GENERAL MODS DCO# 697021-697025	CRAIG M				20/05/03
01A	220 IPN DCO# 697011 - 697014	CRAIG M				4/3/03
REV/ISS	AMENDMENTS	DRAWN	CHKD	D.O.	APVD	DATE



04A	DRIVER FEEDBACK DCO#697041, 42	CRAIG M			11/7/03
02A	PA DRIVER ETC DCO# 697031,697032	CRAIG M			1/7/03
02A	GENERAL MODS DCO# 697021-697025	CRAIG M			20/05/03
01A	220 IPN DCO# 697011 - 697014	CRAIG M			4/3/03
REV/ISS	AMENDMENTS	DRAWN	CHKD	D.O.	APVD DATE

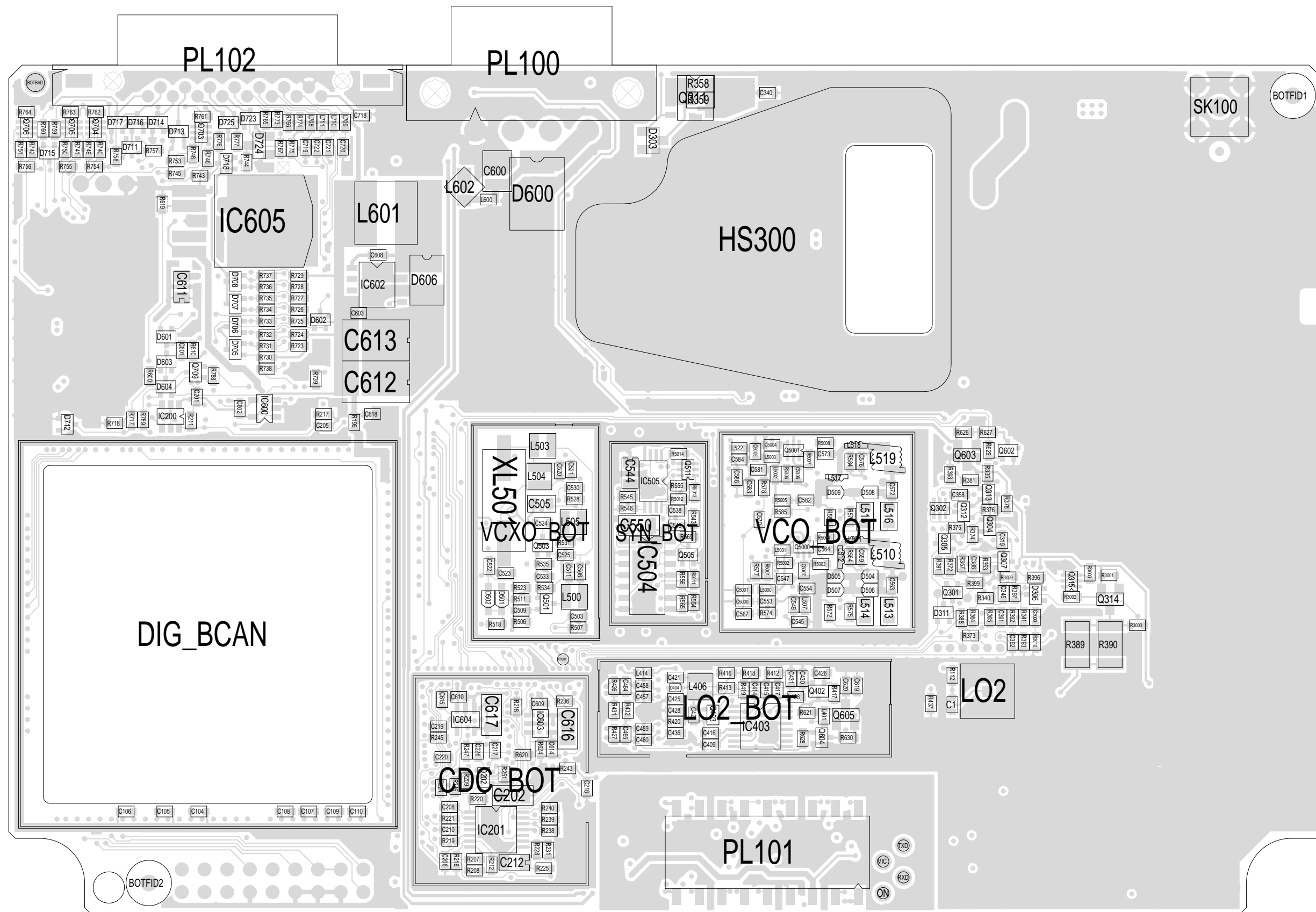
© TAIT ELECTRONICS
 TM8000 400-530MHZ PELHX-18 INTERFACES
 IPN: 220-01697-04 ISSUE: 04A 2.SC. 7
 PROJECT: TM8000 DESIGNER: CRAIG M FILE NAME: 169704a FILE DATE: 11-Jul-03 NO.SHEETS: 7

VALUES ARE FOR 450-530MHZ



TAIT ELECTRONICS IPN: 220-01697-04 ISS: A ID: 1.TA DATE: 11 Jul 2003
 UHF PELHX-18 PCB LAYOUT - TOP SIDE

Scale: 2.2:1 ; Rotation: 0 degrees



L K J H G F E D C B A

11
10
9
8
7
6
5
4
3
2
1

TAIT ELECTRONICS IPN: 220-01697-04 ISS: A ID: 4.BA DATE: 11 Jul 2003
UHF PELHX-18 PCB LAYOUT - BOTTOM SIDE

Scale: 2.2:1 ; Rotation: 0 degrees